

LIVING DISTRICT

Collection: Etude

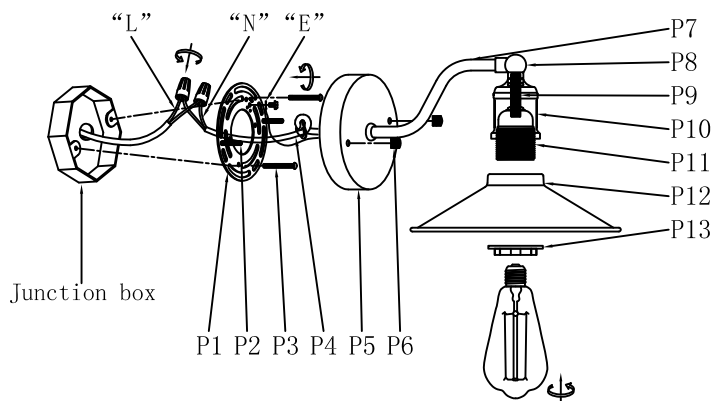
Installation manual for:

LD4033W33 W33.1"H5.8"E11.4"L3

Installation instructions:

1. Using the screw (P3) secure the mounting bracket (P1) to the junction box.
2. Black wire from ceiling (junction box) attaches to "L" wire from the fixture.
3. White wire from ceiling (junction box) attaches to "N" wire from the fixture.
4. "E" wire from the fixture is attached to the mounting bracket and an additional "E" wire from the mounting bracket must be secured to the junction box.
5. M4 screw (P2) pass through the holes in canopy plate and tighten by nut (P6).
6. Install the lampshade (P12) and tighten by lamp holder ring (P13).
7. Install the bulb (not included) in lamp holder (P11).

The end!



PARTS LIST

part	picture	Description	Qty	Check list
P1		Ø4.0" Mounting bracket	1	
P2		M4 Screw	2	
P3		5/32-32 Screw	2	
P4		Power Cord 9" SPT-1 18# black	1	
P5		Ø4.7" Back plate	1	
P6		Nut	2	
P7		Metal arm	1	
P8		Metal arm	1	
P9		Threaded pipe	3	
P10		Lamp cup	3	
P11		E26 Lamp holder	3	
P12		8.7" Lampshade	3	
P13		E26 Lamp holder ring	3	

"L" = Hot wire
 "N" = Neutral wire
 "E" = Ground wire